

### Product Description:

This wall light has a slim and low profile design which provides safe and a visually appealing lighting experience. Quick mount structure for contractors to work safely and easily in the confined-space areas. It is a perfect solution to replace 100 metal halide lamp with a benefit of low maintenance cost.

### Features:

**LISTING**

UL and CUL listed for wet locations

**HOUSING**

Solid construction die-cast aluminum body

**FINISH**

UV stabilized power coated finish

**LENS**

High-impact acrylic diffuser

**MOUNT**

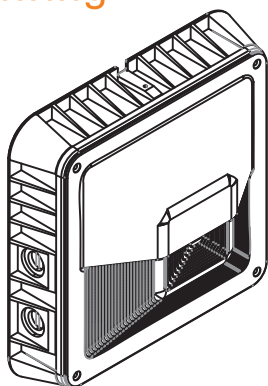
Unique quick mount design

**OPTIONS**

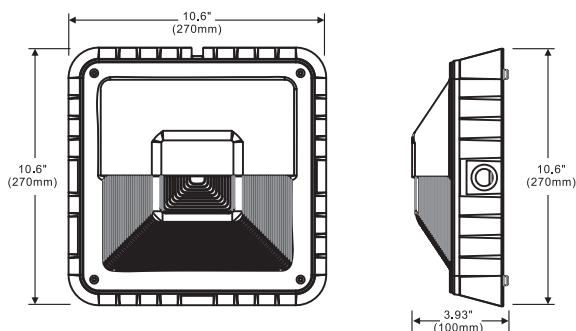
Glare - free

Finish - Bronze. Color option with adder

### Line Drawing



### Dimensions



### SPECIFICATION

Model No.	▶	LED-3965-H
System watts	▶	54
Lumen Output	▶	7018 lm**
Color	▶	5000K
MA	▶	1400 MA
Input Voltage	▶	120~277V
CRI	▶	70+
Starting Temp	▶	-40°C
Equivalent	▶	150W MH

\* Different LED Kelvin temperature available with 4-6 week lead time. Please call for a quote.

\*\* DISCLAIMER: This test report was produced in accordance with IES LM-79 photometric testing protocol for luminaires, using a single representative test fixture. Actual production units may vary from the values reported here by up to ±10%.