



LED Surface Mount Light SML-727



Utilizing the latest generation of LED chips, this uniquely designed wall pack delivers a similar light output to a 400W metal halide but with only 1/3 energy consumption. Housing made of die-casting aluminum with reliable powder coating specifically for harsh outdoor environment. It is attractive in appearance and performance.

Optional Kelvin color* with adder.

FEATURES

LISTING

UL and CUL listed for wet locations

HOUSING

Die-cast aluminum body

FINISH

UV stabilized powder coated finish

LENS

Heat and impact resistant borosilicate glass

OPTIONS

Optional 347V with adder

Dimmable option with adder

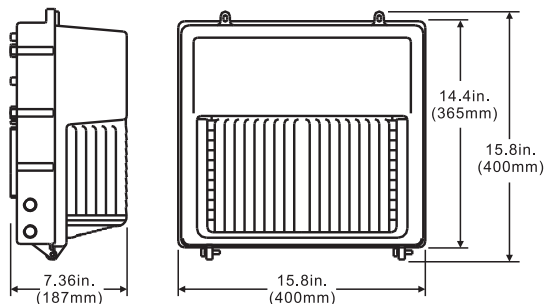
Finish - Bronze. Color option with adder

Optional wire guard / visor with adder

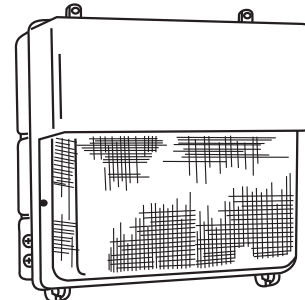
SPECIFICATION

Model No. ▶	SML 727-L2	SML 727-L2	SML 727-L3
System watts ▶	65	75	102
Lumen Output ▶	7446 lm**	7917 lm**	11322 lm**
Color ▶	5000K		
MA ▶	800MA	950MA	883MA
Input Voltage ▶	120~277V		
CRI ▶	70+		
Starting Temp ▶	-40°C		
Equivalent ▶	150W MH	150W MH	400W MH

DIMENSIONS



LINE DRAWING



* Different LED Kelvin temperature available with 4-6 week lead time. Please call for a quote.

** DISCLAIMER: This test report was produced in accordance with IES LM-79 photometric testing protocol for luminaires, using a single representative test fixture. Actual production units may vary from the values reported here by up to ±10%.