



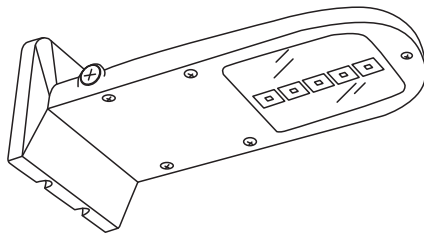
(10LEDS) (15LEDS)

AVAILABLE OPTIONS

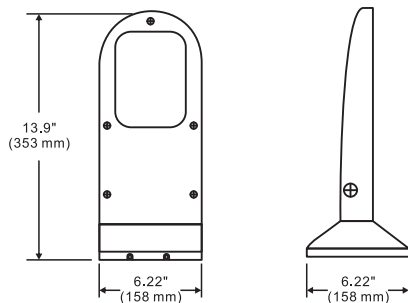


Quick mount

Line Drawing



Dimensions



Product Description:

This fixture is a different take on the traditional wall pack light design. This distinctive luminaire is made of one piece die-cast aluminum. With a high efficient LED module, this LED fixture is exactly what you need to meet a variety of illumination requirements. A unique chromate-conversion coating provides the resistance to corrosion, ultraviolet light, and abrasion in harsh outdoor environment.

Optional Kelvin color* with adder.

Features:

LISTING

UL and CUL listed for wet locations

HOUSING

Die-cast aluminum body

LEDS

Unique quick mount design

FINISH

UV stabilized power coated finish

LENS

Various optical lenses available

OPTIONS

Anodized aluminum reflector

Finish - Bronze. Color option with adder

SPECIFICATION

Model No.	LED-360-L5	LED-360-L10	LED-360-L15
System watts	14	25	37
Lumen Output	654 lm**	1310 lm**	1663 lm**
Color	5000K		
MA	700 MA	500 MA	700 MA
Input Voltage	120~277V		
CRI	70+		
Starting Temp	-40°C		
Equivalent	50W-70W MH	70W MH	100W MH

* Different LED Kelvin temperature available with 4-6 week lead time. Please call for a quote.

** DISCLAIMER: This test report was produced in accordance with IES LM-79 photometric testing protocol for luminaires, using a single representative test fixture. Actual production units may vary from the values reported here by up to ±10%.