



AVAILABLE OPTIONS



Optional photo control

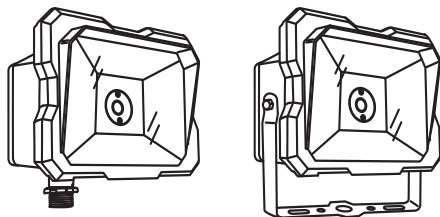


PVC Pipe

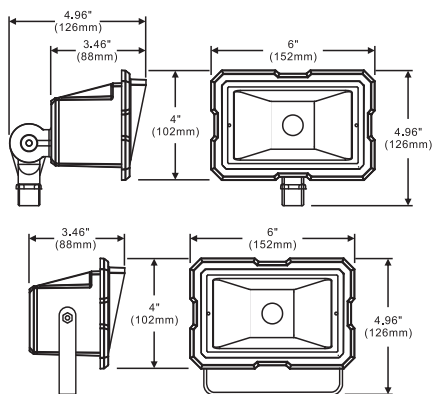


Junction Box

Line Drawing



Dimensions



Product Description:

This compact but powerful flood light is a true innovation combining practicality and aesthetics. With highly efficient LED engine and precise optical control, greater lighting performance adds the value to its exterior appearance. These LED lights have transformed the landscape lighting environment. Utilizing performance optics and long lasting driver, these landscape lights will last for years to come.

Optional Kelvin color* with adder.

Features:

LISTING

UL and CUL listed for wet locations

HOUSING

Solid construction die-cast aluminum body

LEDS

120V AC LED

FINISH

UV stabilized powder coated finish

LENS

Integral glare shield and tempered glass

OPTIONS

Optional 347V with adder

Optional photo control with adder

Finish - Bronze. Color option with adder

SPECIFICATION

Model No.	LED-500		
System watts	9	11	20
Lumen Output	818 lm**	1214 lm**	1723 lm**
Color	5000 K		
MA	--		
Input Voltage	120 V		
CRI	70+		
Starting Temp	-40°C		
Equivalent	50W MH	70W MH	100W MH

* Different LED Kelvin temperature available with 4-6 week lead time. Please call for a quote.

** DISCLAIMER: This test report was produced in accordance with IES LM-79 photometric testing protocol for luminaires, using a single representative test fixture. Actual production units may vary from the values reported here by up to ±10%.