

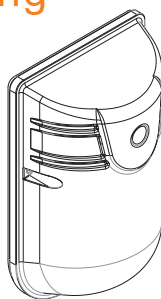


AVAILABLE OPTIONS

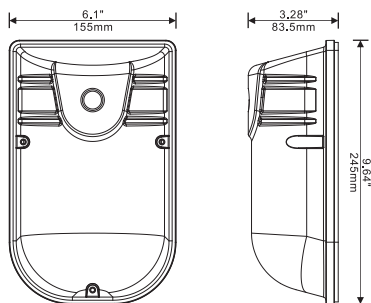


Optional photo control

Line Drawing



Dimensions



Product Description:

This ruggedly designed prismatic wall lighter effectively diffuses and distributes the highly efficient led output to maximize spread and utilization while minimizing wattage consumption. Ideal for energy retro rebates when replacing 70W or lower Metal Halide or HPS.

Features:

LISTING

UL and CUL listed for wet locations

FINISH

UV stabilized power coated finish

LENS

High impact polycarbonate frosted lens

OPTIONS

Optional photo control with adder

Finish - Bronze / White

SPECIFICATION

Model No.	LED-3580A	
System watts	14.5	
Lumen Output	1610 lm**	1750 lm**
Color	3000K	5000K
MA	58.33 MA	
Input Voltage	120~277V	
CRI	70+	
Starting Temp	-40°C	
Equivalent	70W MH	

* Different LED Kelvin temperature available with 4-6 week lead time. Please call for a quote.

** DISCLAIMER: This test report was produced in accordance with IES LM-79 photometric testing protocol for luminaires, using a single representative test fixture. Actual production units may vary from the values reported here by up to ±10%.