



AVAILABLE OPTIONS

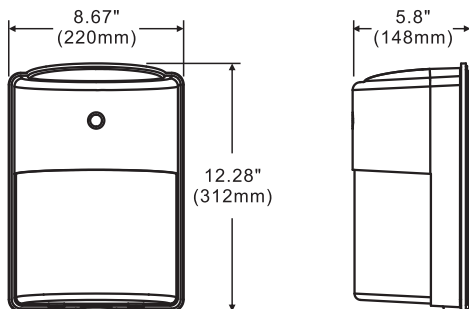


Optional photo control

Line Drawing



Dimensions



Product Description:

This ruggedly designed prismatic wall lighter effectively diffuses and distributes the highly efficient LED output to maximize spread and utilization while minimizing wattage consumption. Ideal for energy retro rebates when replacing 70W or lower metal halide or HPS.

Optional Kelvin color* with adder.

Features:

LISTING

UL and CUL listed for wet locations

HOUSING

Solid construction die-cast aluminum body

LENS

Prismatic lens for uniform light distribution

OPTIONS

Optional photo control with adder

Finish - Bronze. Color option with adder

SPECIFICATION

Model No. ▶	SML-362-L10
System watts ▶	26
Lumen Output ▶	2410 lm**
Color ▶	5000 K
MA ▶	700 MA
Input Voltage ▶	120-277V
CRI ▶	70+
Starting Temp ▶	-40°C
Equivalent ▶	70W-100W MH

* Different LED Kelvin temperature available with 4-6 week lead time. Please call for a quote.

** DISCLAIMER: This test report was produced in accordance with IES LM-79 photometric testing protocol for luminaires, using a single representative test fixture. Actual production units may vary from the values reported here by up to ±10%.