



This compact but powerful flood light is a true innovation combining practicality and aesthetics. With highly efficient LED engine and precise optical control, greater lighting performance adds the value to its exterior appearance. Multiple mounting methods enable this fixture to be installed in any given environment.

Optional Kelvin color* with adder.

AVAILABLE OPTIONS



Optional photo control

Slip fitter

SFS Brackets

Pole mount

U Bracket

FEATURES

- LISTING**
UL and CUL listed for wet locations
- HOUSING**
Solid construction die-cast aluminum body
- FINISH**
UV stabilized powder coated finish
- OPTIONS**
Optional photo control with adder
Finish - Bronze. Color option with adder

SPECIFICATION

Model No. ▶	LED-1571-L1	
System watts ▶	21	53
Lumen Output ▶	2463.2 lm**	5469 lm**
Color ▶	5000 K	
MA ▶	480 MA	1260 MA
Input Voltage ▶	120~277V	
CRI ▶	70+	
Starting Temp ▶	-40°C	
Equivalent ▶	100W MH	250W MH

* Different LED Kelvin temperature available with 4-6 week lead time. Please call for a quote.
** DISCLAIMER: This test report was produced in accordance with IES LM-79 photometric testing protocol for luminaires, using a single representative test fixture. Actual production units may vary from the values reported here by up to ±10%.



LED-1571-L1-SFB



LED-1571-L1-SFS

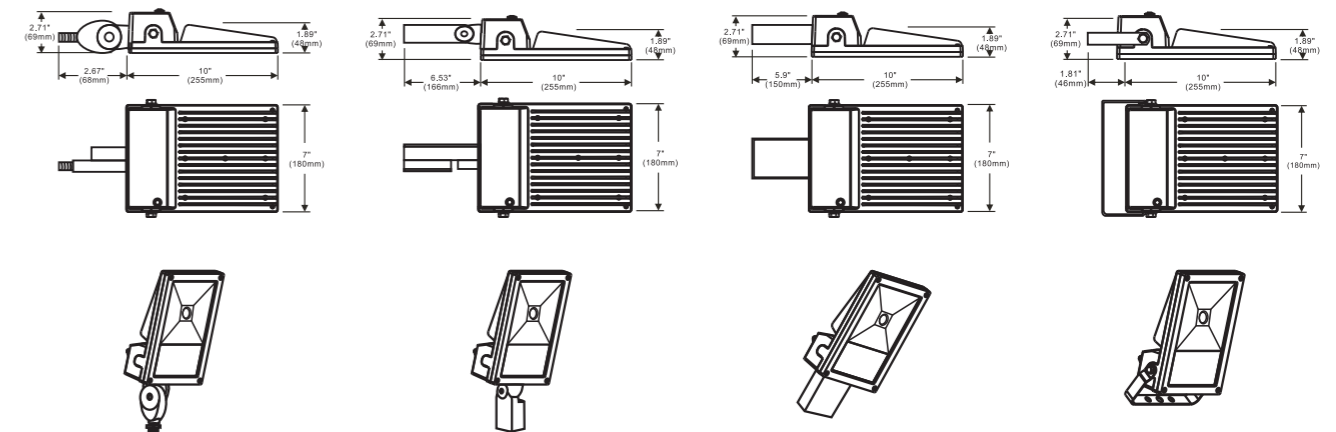


LED-1571-L1-PM



LED-1571-L1-U

DIMENSIONS



LINE DRAWING

* Different LED Kelvin temperature available with 4-6 week lead time. Please call for a quote.
** DISCLAIMER: This test report was produced in accordance with IES LM-79 photometric testing protocol for luminaires, using a single representative test fixture. Actual production units may vary from the values reported here by up to ±10%.