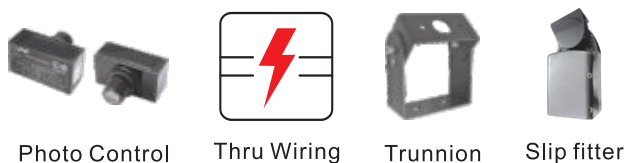
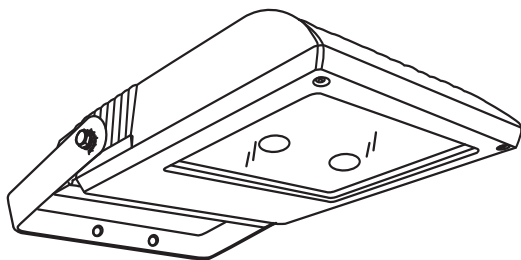


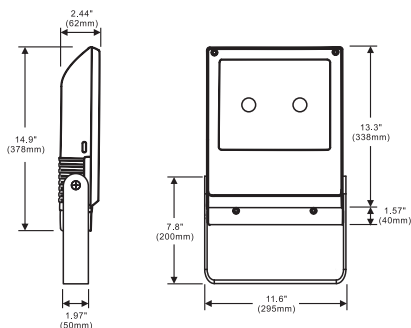
AVAILABLE OPTIONS



Line Drawing



Dimensions



Product Description:

Utilizing a clean design formula the performance is appropriate for environments where elegance is required. With a strategic lens providing various light distributions along with newest generation of LED module, this fixture is sufficient to provide the desired illumination when required. Ideally used for illumination of walkways, parking lots, and other public places. This unit is uniquely designed with front hinged door frame for easy maintenance and it's own J-box for thru-wiring.

Optional Kelvin color* with adder.

Features:

LISTING

UL and CUL listed for wet locations

HOUSING

Solid construction die-cast aluminum body

FINISH

UV stabilized power coated finish

LENS

Front hinged door frame

OPTIONS

Optional optical lenses available with adder

Finish - Bronze. Color option with adder

SPECIFICATION

Model No. ▶	LED-757-L2		
System watts ▶	75	82	112
Lumen Output ▶	6659 lm**	8121 lm**	10692 lm**
Color ▶	5000K		
MA ▶	700 MA	950 MA	1400 MA
Input Voltage ▶	120~277V		
CRI ▶	70+		
Starting Temp ▶	-40°C		
Equivalent ▶	200W MH	200W MH	250W MH

* Different LED Kelvin temperature available with 4-6 week lead time. Please call for a quote.

** DISCLAIMER: This test report was produced in accordance with IES LM-79 photometric testing protocol for luminaires, using a single representative test fixture. Actual production units may vary from the values reported here by up to ±10%.