



Product Description:

Dusk to Dawn Fixture of the future is here. Utilizing a single source LED, this dusk to dawn provides prismatic-designed light output for any environment. It is optional to add a NEMA approved Photocontrol which used with LED provides significant power savings. Maintaining all the strengths of the traditional dusk to dawn fixtures such as installation brackets and arms while utilizing the latest generation of LEDs, this LED dusk to dawn will last for years to come.

Optional Kelvin color* with adder.

AVAILABLE OPTIONS



Terminal block



Wall mount & Wood pole mount

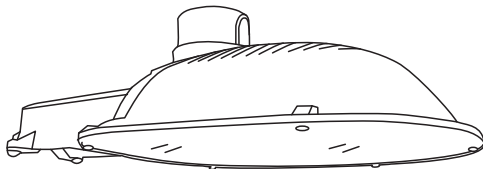


Photo Control

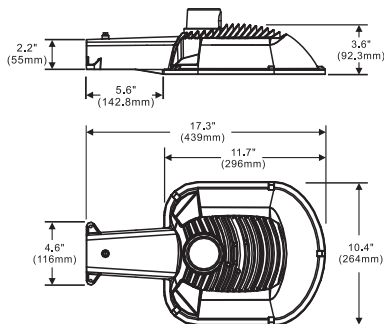


Aluminum anodized arm

Line Drawing



Dimensions



Features:

LISTING

UL and CUL listed for wet locations

HOUSING

Solid construction die-cast aluminum body

FINISH

UV stabilized powder coated finish

OPTIONS

Uniform light distribution

Finish - Gray. Color option with adder

SPECIFICATION

Model No. ▶	LED-772L-T3		LED-772L-T5	
System watts ▶	34	51	35	57
Lumen Output ▶	3675 lm**	6432 lm**	3165 lm**	4977 lm**
Color ▶	5000K		5000K	
MA ▶	800MA	950MA	800MA	1400MA
Input Voltage ▶	120~277V		120V	120~277V
CRI ▶	70+		70+	
Starting Temp ▶	-40°C		-40°C	
Equivalent ▶	150W MH	250W MH	150W MH	200W MH

* Different LED Kelvin temperature available with 4-6 week lead time. Please call for a quote.

** DISCLAIMER: This test report was produced in accordance with IES LM-79 photometric testing protocol for luminaires, using a single representative test fixture. Actual production units may vary from the values reported here by up to ±10%.