



LED High Bay LED-467



A unique feature is the quick disconnected cable, it can quickly separate the driver from the LED module for easy maintenance. The unit has built-in heat sink and comes with a hook made of die-cast aluminum for a strong and easy installation.

AVAILABLE OPTIONS



Hook



Optional clamp band and flat glass

FEATURES

LISTING

UL and CUL listed for damp locations

HOUSING

Superior heavy duty die cast aluminum construction

Anodized aluminum reflector

OPTIONS

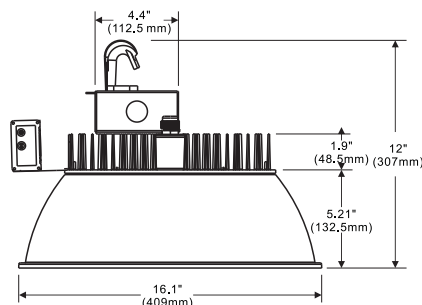
Optional 347V with adder

Optional clamp band and flat glass with adder

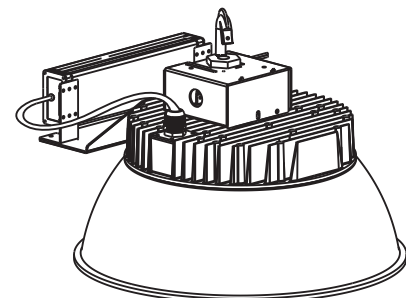
SPECIFICATION

| Model No. ▶ | LED-467-L3 | LED-467-L5 | LED-467-L9 |
|-----------------|------------|------------|------------|
| System watts ▶ | 115 | 161 | 215 |
| Lumen Output ▶ | 13950 lm** | 17929 lm** | 26433 lm** |
| Color ▶ | 5000K | | |
| MA ▶ | 966MA | 780MA | 600MA |
| Input Voltage ▶ | 120~277V | | |
| CRI ▶ | 70+ | | |
| Starting Temp ▶ | -40°C | | |
| Equivalent ▶ | 250W MH | 250W MH | 400W MH |

DIMENSIONS



LINE DRAWING



* Different LED Kelvin temperature available with 4-6 week lead time. Please call for a quote.

** DISCLAIMER: This test report was produced in accordance with IES LM-79 photometric testing protocol for luminaires, using a single representative test fixture. Actual production units may vary from the values reported here by up to ±10%.