



### AVAILABLE OPTIONS



Optional photo control

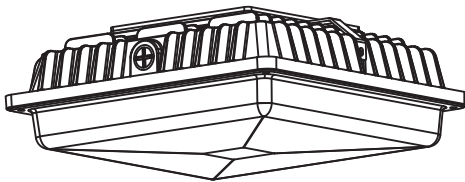


Optional sensor

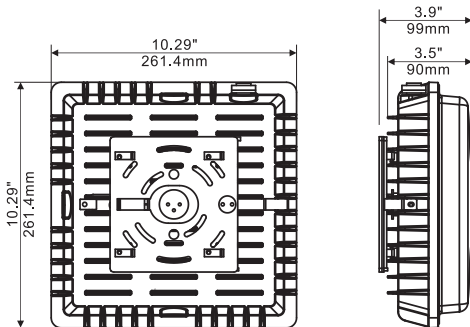


Quick mount

### Line Drawing



### Dimensions



### Product Description:

This canopy light has a slim and low profile design which provides safe and a visually appealing lighting experience. Luminaire can be mounted directly to the ceiling also 3/4" pendant mounting option is available. Quick mount structure for contractors to work safely and easily in the confined-space areas. It is a perfect solution to replace 100 metal halide lamp with a benefit of low maintenance cost.

### Features:

#### LISTING

UL and CUL listed for wet locations

#### HOUSING

Solid construction die-cast aluminum body

#### FINISH

UV stabilized power coated finish

#### LENS

Unique quick mount design

#### OPTIONS

Finish - Bronze. Color option with adder

Glare - free

### SPECIFICATION

Model No.	LED-364N		
System watts	25	40	57
Lumen Output	2300 lm**	4803 lm**	6313 lm**
Color	4000K/5000K		
MA	480 MA	950 MA	1400 MA
Input Voltage	120~277V		
CRI	70+		
Starting Temp	-40°C		
Equivalent	70W-100W MH	100W MH	100W-150W MH

\* Different LED Kelvin temperature available with 4-6 week lead time. Please call for a quote.

\*\* DISCLAIMER: This test report was produced in accordance with IES LM-79 photometric testing protocol for luminaires, using a single representative test fixture. Actual production units may vary from the values reported here by up to ±10%.