

LED-27XXX Series



LED-27150



LED-27075



LED-27035

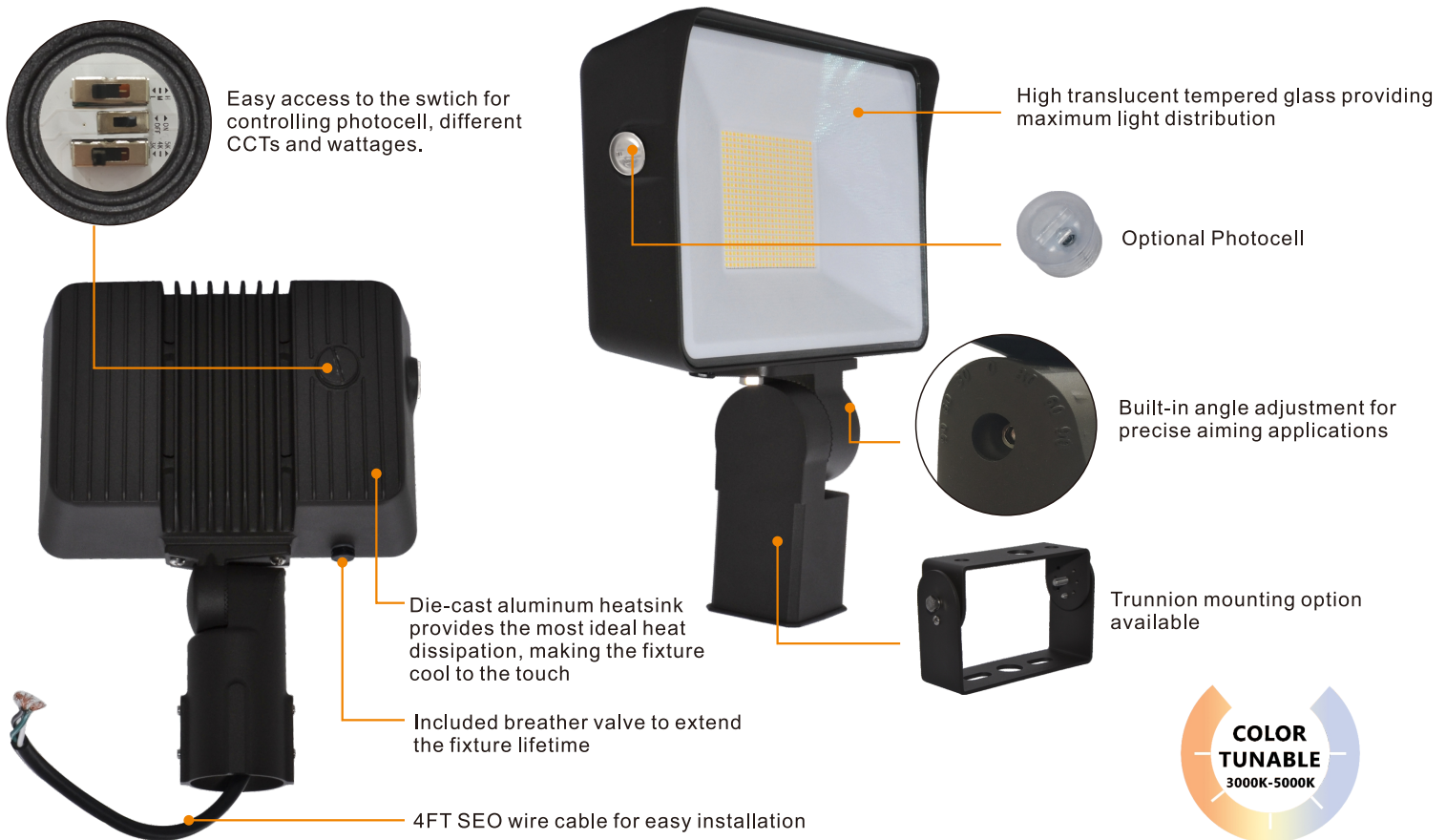
APPLICATIONS

	Street & Tunnel
	Park
	Gas Station
	Parking
	Industrial Site

Meets DLC 5.1
Requirements



Product Description:



Product Description:

This compact but powerful flood light is a true innovation practically and aesthetically. The upgraded color tuning switch allows easy access to a range of CCTs based on different environments. Utilizing performance optics and long lasting driver, these landscape flood lights will last for years to come.

Optional Kelvin color* with adder.

Features:

LISTING

- ▶ UL and CUL listed for wet locations

HOUSING

- ▶ Solid construction die-cast aluminum body

FINISH

- ▶ UV stabilized powder coated finish

OPTIONS

- ▶ Optional photocell
 - ▶ Finish - Bronze. Color options with adder
- Build in color adjustable control ranging from 3000K to 5000K



Scan QR CODE
for more information



* Different LED Kelvin temperature available with 4-6 week lead time. Please call for a quote.

** DISCLAIMER: This test report was produced in accordance with IES LM-79 photometric testing protocol for luminaires, using a single representative test fixture. Actual production units may vary from the values reported here by up to ±10%.

Performance Data

Model NO.	System Watts	Lumens**	Efficacy**
LED-27035	19/26/37W	5186 lm**	146 lm/W**
LED-27075	45/61/80W	10933 lm**	149 lm/W**
LED-27150	93/125/158W	21532 lm**	148 lm/W**

Lumen and Efficacy are based on the highest wattage at 4000K

Specification:

Example: LED-27XXX Series

Model No.	System Watts	Input Voltage	CRI	Color Temp*	Mounting	Finish	Option	
LED-27035	37W	UNV= 120-277VAC	8=80+	30=3000 K	SF=Slip Fitter	WH=White	BLANK = No Sensor	
LED-27075	80W			40= 4000 K		TR=Trunnion		BK=Bronze
LED-27150	158W			50=5000 K				

* Different LED Kelvin temperature available with 4-6 week lead time. Please call for a quote.

** DISCLAIMER: This test report was produced in accordance with IES LM-79 photometric testing protocol for luminaires, using a single representative test fixture. Actual production units may vary from the values reported here by up to ±10%.



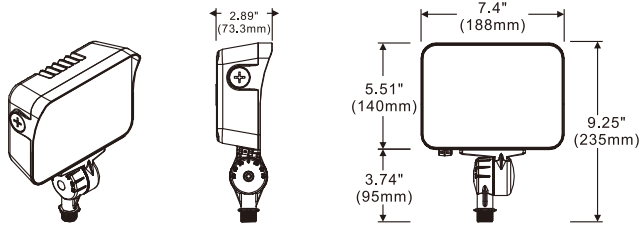
Scan QR CODE
for more information



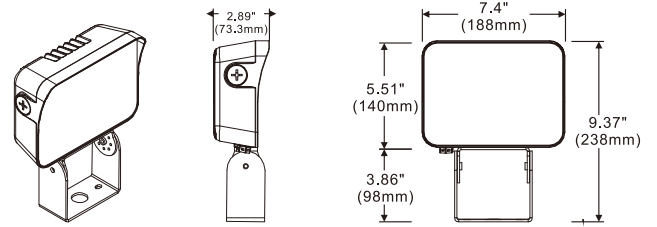
* Different LED Kelvin temperature available with 4-6 week lead time. Please call for a quote.

** DISCLAIMER: This test report was produced in accordance with IES LM-79 photometric testing protocol for luminaires, using a single representative test fixture. Actual production units may vary from the values reported here by up to ±10%.

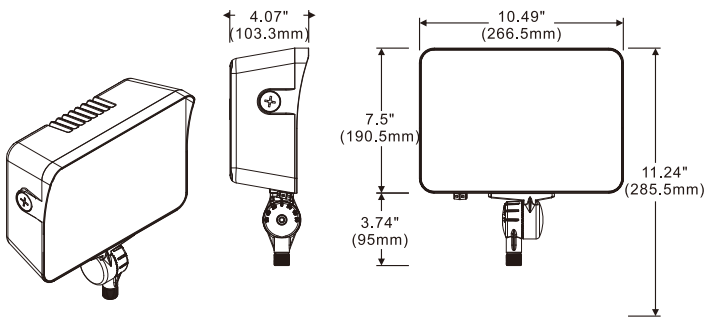
Dimension:



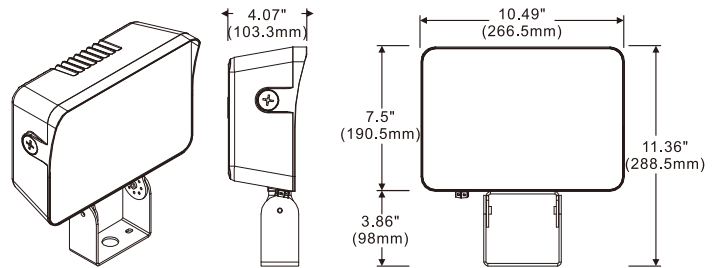
LED-27035-SFS



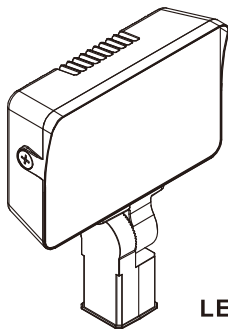
LED-27035-TR



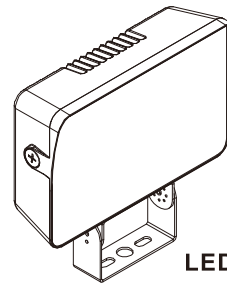
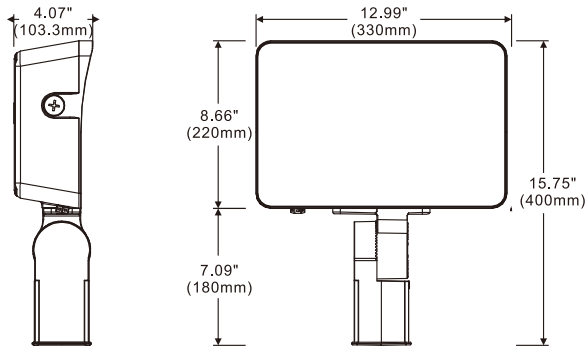
LED-27075-SFS



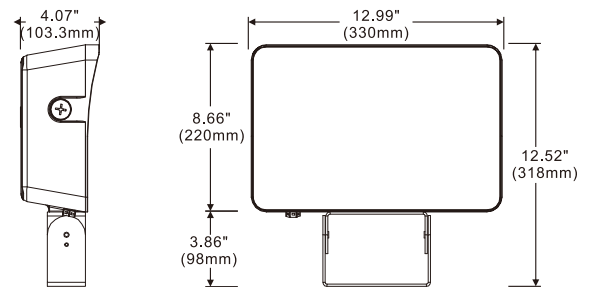
LED-27075-TR



LED-27150-SF



LED-27150-TR



505 S. Yorbita Road, City of Industry, CA 91744, USA
 Tel: (626) 839-8868 Fax: (626) 581-8099
 e-mail: sales@grandlite.com

www.grandliteled.com



Scan QR CODE
for more information